

CERTIFICATE OF SURVEY

RETRACEMENT AND DEPENDENT RESURVEY OF
 LOTS 1, 2, 3, BLOCK 1 & LOTS 2, 3, 4, BLOCK 3 - PLAT OF NORTH TROY
 SECTION 1, T. 31 N., R. 34 W., P.M.M.
 LINCOLN COUNTY, MONTANA

FOREST SUPERVISOR'S CERTIFICATE

THIS SURVEY WAS MADE AT MY REQUEST FOR NATIONAL FOREST MANAGEMENT PURPOSES

Chad Benson
 CHAD BENSON, FOREST SUPERVISOR, KOOTENAI NATIONAL FOREST

03/19/2025
 DATE

PURPOSE OF SURVEY

THE PURPOSE OF THIS SURVEY IS TO RETRACE AND LOCATE UPON THE GROUND, THE TITLE LINES OF RECORD BETWEEN PRIVATE AND NATIONAL FOREST SYSTEM LANDS. THEREFORE, NO DIVISION OF LAND IS HEREBY CREATED AND THIS SURVEY IS EXEMPT FROM REVIEW AS A SUBDIVISION PURSUANT TO SECTION 75-3-404 MCA.

LEGAL DESCRIPTION

NATIONAL FOREST SYSTEM LANDS: AS DESCRIBED ON THE OFFICIAL PLAT OF NORTH TROY; LOTS 1, 2, AND 3 OF BLOCK 1; LOTS 2, 3, AND 4 OF BLOCK 3. TOTAL ACREAGE 27.880 ACRES. NO PRIVATE LANDS DESCRIBED HEREON.

METHOD OF SURVEY

GPS REAL TIME KINEMATIC (RTK) USING A TRIMBLE R-12 BASE AND ROVER.

SURVEY HISTORY

- (GLO) 1903 - ORIGINAL GLO SUBDIVISION BY ALLEN B. BENEDICT
- (R1) 1918 - NORTH TROY PLAT, CITY OF TROY, PLAT NO. 12 BY STANLEY S. CRAIG
- (R2) 1964 - REESTABLISHMENT OF THE SOUTHWEST AND WEST QUARTER CORNERS OF SECTION 1 BY JACK W. NINNEMAN, C.C.R. NO. 4
- (R3) 1982 - SUBDIVISION OF SECTION 2, C.O.S. 1105 BY THOMAS C. HILL
- (R4) 1984 - AMENDED PLAT OF NORTH TROY, NO. 4175 BY KENNETH E. DAVIS
- (R5) 1987 - AMENDED PLAT OF NORTH TROY, NO. 4404 BY ALVAH F. HUGHES
- (R6) 2004 - CERTIFICATE OF SURVEY NO. 3311 BY JAMES R. STAPLES
- (R7) 2007 - CERTIFICATE OF SURVEY NO. 3660ME BY KENNETH E. DAVIS

BASIS OF BEARINGS

ALL BEARINGS ARE BASED UPON THE GEODETIC MERIDIAN OBTAINED THROUGH GPS OBSERVATIONS FOR THE PROJECT CONTROL. A LOCAL COORDINATE SYSTEM WAS ESTABLISHED WITH THE ORIGIN BEING THE WEST 1/4 CORNER OF SECTION 1. GEODETIC BEARINGS ARE EQUAL TO LOCAL PLANE BEARINGS ON RADIAL LINES EXTENDING FROM THIS ORIGIN.

SURVEYOR'S NOTES

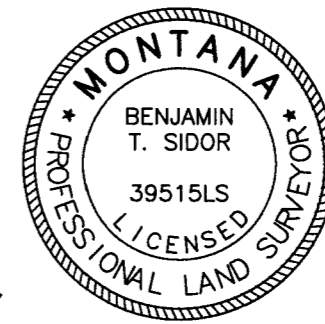
- 1) HELD MONUMENTED SECTION LINE (SENIOR LINE) FOR ALL POSITIONS INTENDED TO BE SET ON SAID LINE. DISCREPANCIES EXIST BETWEEN DAVIS C.O.S. (3660ME), HUGHES AMENDED PLAT NO. 4404, AND ORIGINAL NORTH TROY PLAT. SEE SURVEYOR'S NOTE ON HUGHES AMENDED PLAT FOR COMMENTS ON THE SOUTHWEST SECTION CORNER AND WEST QUARTER CORNER OF SECTION 1. THE SAME MONUMENTS ACCEPTED AND UTILIZED BY HUGHES WERE ALSO ACCEPTED FOR THIS SURVEY.
- 2) AT THE TIME OF THIS SURVEY, THERE WAS VERY LIMITED EVIDENCE REMAINING OF EXISTING CORNERS UTILIZED AND SET DURING PREVIOUS SURVEYS. SHORTLY BEFORE THIS SURVEY WAS COMMENCED, A UTILITY CONTRACTOR DISTURBED THE EASTERN DITCH OF HUNTS MILL ROAD. MULTIPLE SURVEY MONUMENTS WERE FOUND DISTURBED DURING OUR SEARCH.
- 3) THE NORTHEAST CORNER OF LOT TWO, BLOCK ONE WAS CALCULATED BY A DISTANCE-DISTANCE INTERSECTION FROM THE TWO REFERENCE MONUMENTS AS SHOWN ON THE HUGHES AMENDED PLAT. THE R.M. ON THE BOUNDARY EXTENDING NORTHERLY FROM THE NORTHEAST CORNER OF LOT TWO HAS A CAP WITH A DIFFERENT LICENSE NUMBER THAN WHAT IS SHOWN ON THE HUGHES PLAT. THE LICENSE NUMBER ON THAT CAP BELONGS TO THOMAS HILL, WHO WAS A SURVEYOR WITH THE U.S.D.A. FOREST SERVICE AT THAT TIME. THE MONUMENT WAS ACCEPTED AS THE ORIGINAL FOR THIS SURVEY.
- 4) THE NORTHERLY MOST CORNER OF LOT THREE, BLOCK ONE WAS ESTABLISHED BY HOLDING THE FOUND MONUMENT SET BY HUGHES FOR BEARING ONLY FOR THE JUNIOR LINE INTERSECTING THE SENIOR LINE. AN EXTENSION OF THIS LINE WAS THEN RUN TO THE TRUE INTERSECTION POINT WHICH WE MONUMENTED THIS SURVEY FOR THE NORTHERN MOST CORNER OF LOT THREE. SEE DETAIL 1.
- 5) HELD THE NORTHWEST CORNER OF LOT SIX, BLOCK TWO AS THE SOUTHEAST CORNER OF THE INTERSECTION. AN OFFSET OF THE RECORD 30' FROM THIS MONUMENT WAS UTILIZED FOR CALCULATING THE SOUTH BOUNDARY OF LOT TWO, BLOCK THREE. THIS POSITION WAS VERIFIED WITH LOCATING THE SOUTHWEST CORNER OF LOT SIX, BLOCK ONE. THAT TIE IS REFERENCED ON THIS SURVEY. THE SOUTHWEST CORNER OF LOT TWO, BLOCK THREE WAS DETERMINED BY HOLDING THE FOUND POSITION OF IRON PIPE AND EXTENDING THE LINE THROUGH SAID POINT TO THE TRUE INTERSECTION POINT WITH THE SENIOR LINE. SEE DETAIL TWO. THE FOUND IRON PIPE WAS LYING LOOSE ON THE GROUND WITH THE HOLE FOR THE IRON PIPE BEING EVIDENT AT THE TIME OF THIS SURVEY.
- 6) SEE CERTIFIED CORNER RECORDS ON FILE IN THE OFFICE OF THE CLERK & RECORDER OF LINCOLN COUNTY FOR ADDITIONAL INFORMATION ON CORNERS SET AND TIED THIS SURVEY.

SURVEYOR'S CERTIFICATE

I HEREBY CERTIFY THAT I AM A LICENSED PROFESSIONAL LAND SURVEYOR IN THE STATE OF MONTANA, THAT THE SURVEY SHOWN ON THIS CERTIFICATE OF SURVEY HAS BEEN PREPARED IN ACCORDANCE WITH THE MONTANA CODE ANNOTATED (SECTIONS 76-3-101 THROUGH 76-3-625), THE MONTANA DEPARTMENT OF LABOR AND INDUSTRY ADMINISTRATIVE RULES FOR THE MONTANA SUBDIVISION AND PLATTING ACT (ARM 24.183, 1101, 1104 AND 1107), AND THE LINCOLN COUNTY REGULATIONS ADOPTED PURSUANT THERETO.

Benjamin T. Sidor
 BENJAMIN T. SIDOR, MONTANA LIC. NO. 39515 PLS

3-18-2025
 DATE



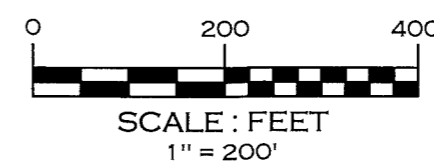
CERTIFICATE OF EXAMINING LAND SURVEYOR

EXAMINED: *Steven A. Boyer*
 STEVEN A. BOYER, PLS 9750LS
 LINCOLN COUNTY EXAMINING LAND SURVEYOR

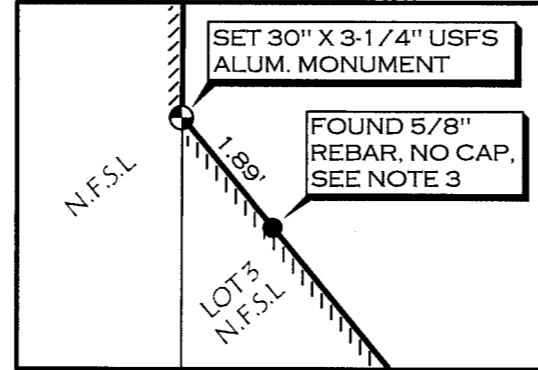
20 MARCH 2025
 DATE

LEGEND

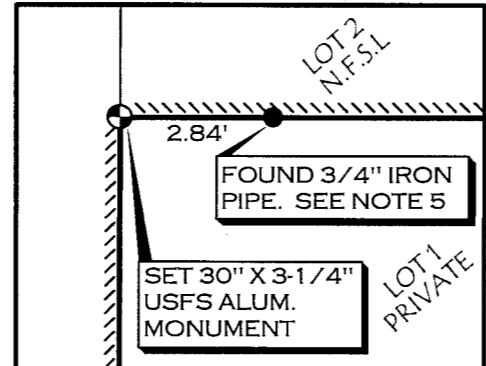
- ✕ FOUND SECTION CORNER; AS NOTED
- ⊕ FOUND 1/4 CORNER; AS NOTED
- SET A 2-1/2" DIAM. X 30" ALUMINUM PIPE WITH 3-1/4" USFS ALUM. CAP MARKED '39515PLS'
- SET A 5/8" X 24" DIAM. BLUE PLASTIC CAP MARKED 'SIDOR 39515 PLS'; UNLESS OTHERWISE NOTED
- FOUND EXISTING MONUMENT AS NOTED
- PROJECTED CORNER, NOT SET
- N.F.S.L. NATIONAL FOREST SYSTEM LANDS
- ▬ NATIONAL FOREST BOUNDARY MARKED AND POSTED TO U.S.F.S. REGION 1 STANDARDS THIS SURVEY



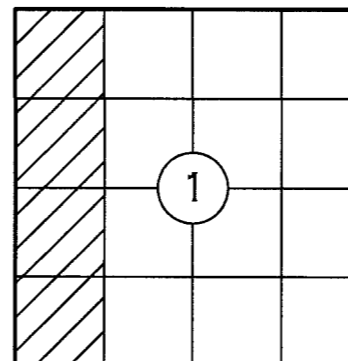
DETAIL 1 (NOT TO SCALE)



DETAIL 2 (NOT TO SCALE)



T. 31 N. R. 34 W.



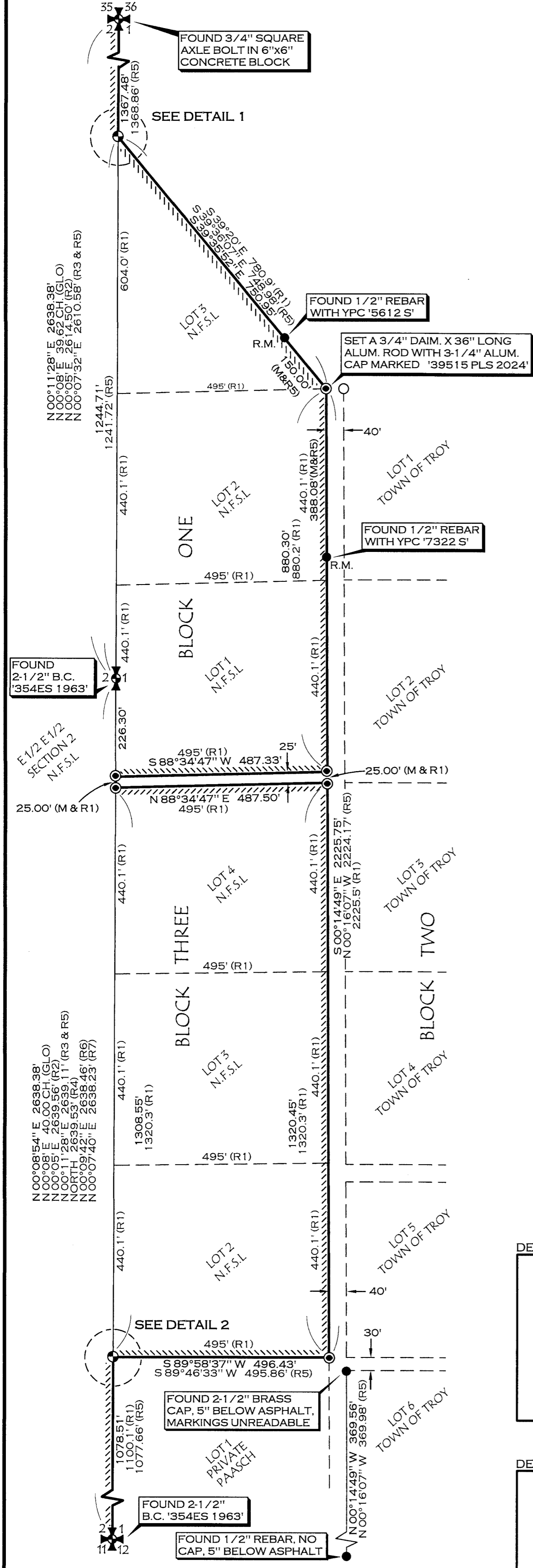
CERTIFICATE OF CLERK AND RECORDER

STATE OF MONTANA)
 COUNTY OF LINCOLN)
 FILED ON THE 21 DAY OF March, 2025, A.D. AT 8:29 O'CLOCK A.M.

Corinna Dawn
 COUNTY CLERK AND RECORDER

CERTIFICATE OF SURVEY NO. 5116

SHEET 1 OF 1



U.S.D.A. FOREST SERVICE - REGION 1
 KOOTENAI NATIONAL FOREST
 31374 US HIGHWAY 2, LIBBY, MT 59923 (406) 293-6211

PROJECT: TROJAN DEFENSE
 LOCATION: TROY RANGER DISTRICT
 SURVEYED BY: B. SIDOR, T. BELCER, B. DAO
 C. HOPKINSON
 DATE OF SURVEY: 8/2024
 DRAFTED BY: B. SIDOR
 REVIEWED BY: E. PHILLIPS