

# CERTIFIED CORNER RECORDATION

CORNER W 1/4 S 18 T. 29 N., R. 33 W., P.M.M. LINCOLN COUNTY

178325 BOOK: CCR CC&R'S PAGE: 10655 Pages: 1  
STATE OF MONTANA LINCOLN COUNTY  
RECORDED: 08/09/2004 12:46 KOI: CC&R'S  
CORAL M. CUMMINGS CLERK AND RECORDER  
FEE: \$0.00 BY: Geannie Lennin  
TO: FILED Deputy

## RECORD:

Per Glo Daniel P. Mumbroe Sept. 23 1893  
Set a post 3 ft long 3 ins square 24 ins in the ground for 1-4 sec cor marked 1-4 S on W face from which a Tamarack 8 ins diam bears S 11 3/4° E 14 lks distant marked 1-4 S BT a Tamarack 8 ins dia. bears S 49 3/4° W 20 lks distant marked 1-4 S BT.  
Per Glo Contract No. 425 June 29 1903  
Set a Fir post 3 ft long 3 ins Sq 24 ins in the ground for 1/4 Sec Cor marked 1/4 S 13 on W., and 18 in E face From which  
A fir 7 ins Diam. bears N 21° E 37 lks Dist. marked 1/4 S 18 BT  
A fir 6 ins Diam. bears N 28° W 48 lks Dist. marked 1/4 S 13 BT  
Per Glo Ranney L. Lyman August, 27 1924  
The 1/4 sec Cor which is a wooden post 4 ins sq badly decayed, marked and witnessed as described in the original field notes except that the E bearing tree is a Tamarack 6 ins Dia. bears S 51° E 12 lks Dist. instead of N 21° E 37 lks Dist. in the place of the wooden post  
Set an Iron post 3 ft long 1 ins Dia. 28 ins in the ground for 1/4 Sec Cor with brass marked 1/4 S13/ S18 1924

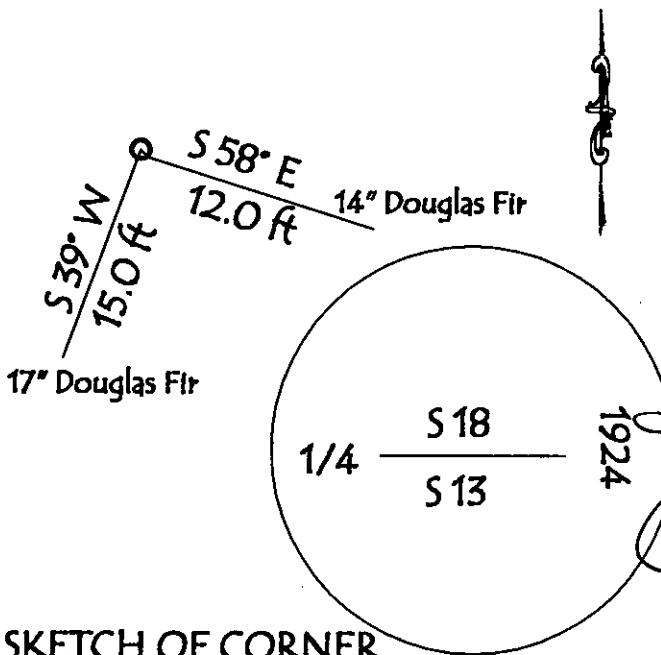
## FOUND EVIDENCE:

2 1/2 inch brass cap ( oriented east & west instead of north and south) stamped 1/4 on west edge S 13 on south half, S 18 on North half and 1924 on east edge the corner was still in good condition firmly set.

## PERPETUATION:

Used original 2 1/2 inch brass cap ( set in 1924)  
From which  
A 14 ins DBH Douglas Fir bears S 58° E 12 feet Dist. scribed T 29 N R 33 W S 18 1/4 BT  
A 17 ins DBH Douglas Fir bears S 39 W 15 feet Dist. scribed T 29 N R 34 W S 13 1/4 BT  
Painted 6 ins wide bands on trees and attached bearing trees signs to both trees.

MAGNETIC DECLINATION: 18° E

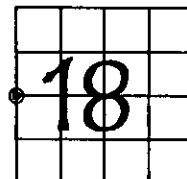


**CERTIFICATION**  
I, GEORGE CLARK  
Certify the information shown herein is true and correct  
Signature of Ground Party Chief  
I, KENNETH E. DAVIS  
certify that this Corner Record correctly represents work performed by me or under my direction in compliance with the "Corner Recordation Act" (M.S.A. 2-12-101, et seq.)  
Signature of Surveyor & Seal  
Date: 8/29/04 Reg. No. 4975-S  
Employer: DAVIS SURVEYING INC

## SKETCH OF CORNER

Office of Clerk and Recorder, County of \_\_\_\_\_  
This "corner record" was filed for record on \_\_\_\_\_  
was noted on the cross-index plat and is assigned page  
No. 10655  
In book No. 178325  
doc. County Official

## SECTION



Cross Index No. W 1/4 S 18 T. 29 N., R. 33 W., P.M.M.

THIS CORNER