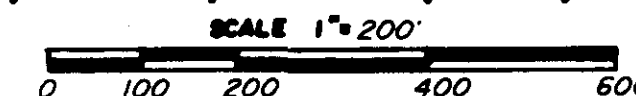
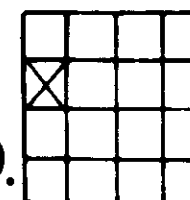


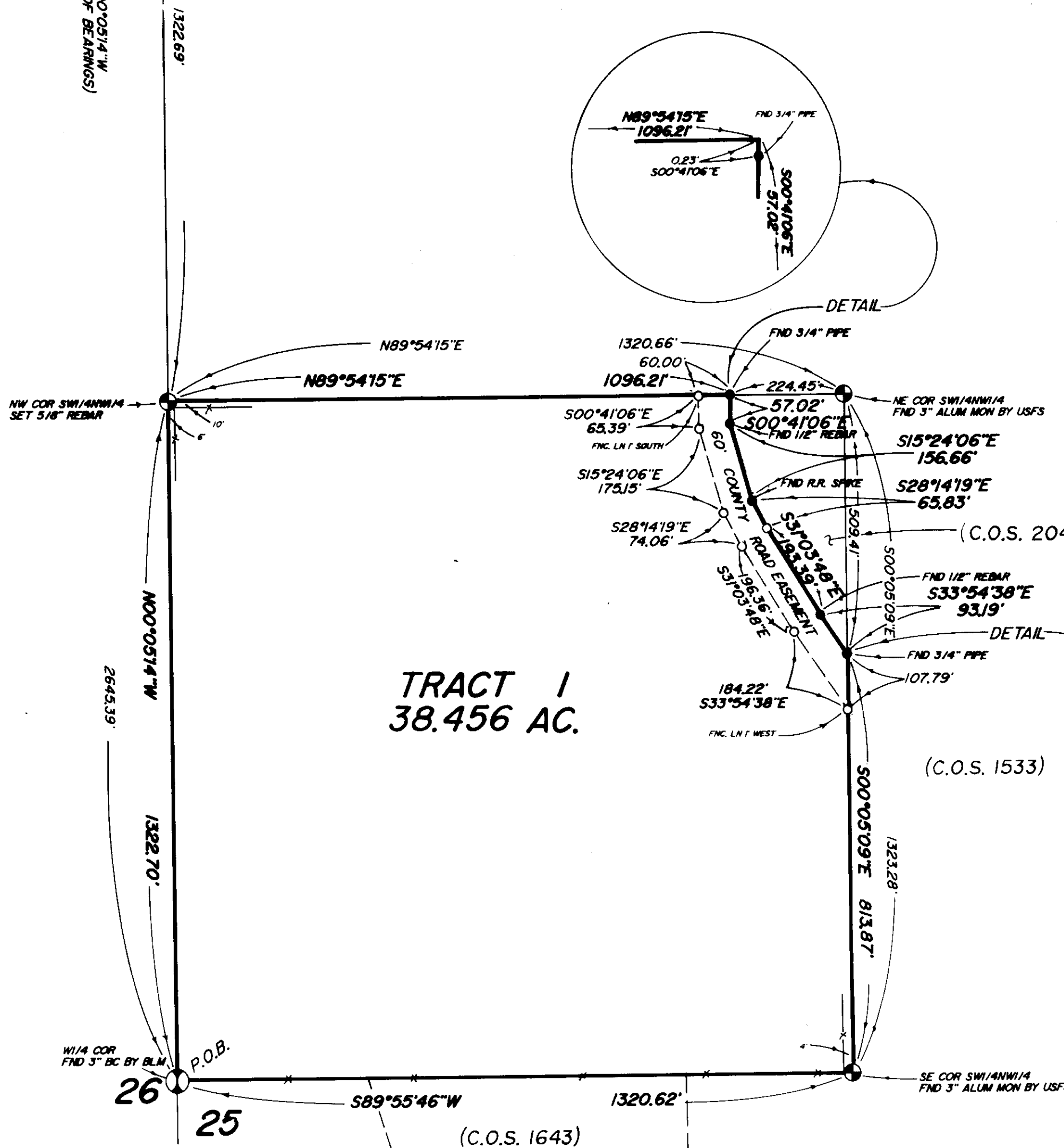
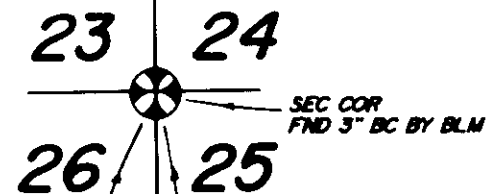
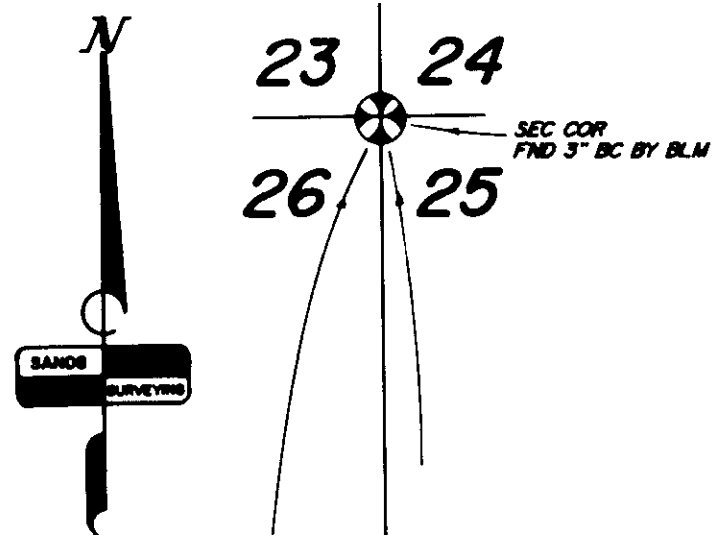
BY: SANDS SURVEYING  
 1995 3RD AVENUE EAST  
 KALISPELL, MT. 59901  
 PH: (406) 755-6481

# CERTIFICATE OF SURVEY

SW1/4 NW1/4, SEC. 25, T.35N, R.26W, P.M., LINCOLN CO.



DATE: SEPTEMBER 13, 1990  
 FOR: KATHY OLIVER  
 OWNER: DONALD & JOANN ROSAAEN



PURPOSE OF SURVEY: RETRACEMENT

DESCRIPTION:

A TRACT OF LAND, SITUATED, LYING, AND BEING IN THE SOUTHWEST QUARTER OF THE NORTHWEST QUARTER OF SECTION 25, TOWNSHIP 35 NORTH, RANGE 26 WEST, P.M., M., LINCOLN COUNTY, MONTANA, AND MORE PARTICULARLY DESCRIBED AS FOLLOWS TO WIT:

TRACT 1:

BEGINNING at the southwest corner of the Southwest Quarter of the Northwest Quarter of Section 25, Township 35 North, Range 26 West, P.M., M., Lincoln County, Montana, which is a found brass cap; Thence N00°05'14\"/>

LEGEND

1. ⊗ SEC. COR. (AS NOTED)
2. ⊙ 1/4 CORNER (AS NOTED)
3. ⊕ CENTER SECTION (AS NOTED)
4. ⊗ 1/16 CORNER (AS NOTED)
5. ● FOUND (AS NOTED)
6. ○ SET 1/2" X 24" REBAR WITH 1" PLASTIC CAP, STAMPED: SANDS, 7975-S

CERTIFICATE OF SURVEYOR

*James J. Smith*  
 REGISTRATION NO. 7975-S

APPROVED: *Sept 26, 1990*  
*Paul J. Bruchoff*

EXAMINING LAND SURVEYOR - REG. NO.

STATE OF MONTANA SS  
 COUNTY OF LINCOLN  
 FILED ON THE 26 DAY OF Sept, 1990 A.D.  
 AT 3:16 O'CLOCK P.M.  
*James P. Sigel*  
 CLERK & RECORDER

BY *James J. Smith*  
 DEPUTY

INSTRUMENT REC. NO. \_\_\_\_\_

SHEET 1 OF 1 SHEETS

CERTIFICATE OF SURVEY No. 1784